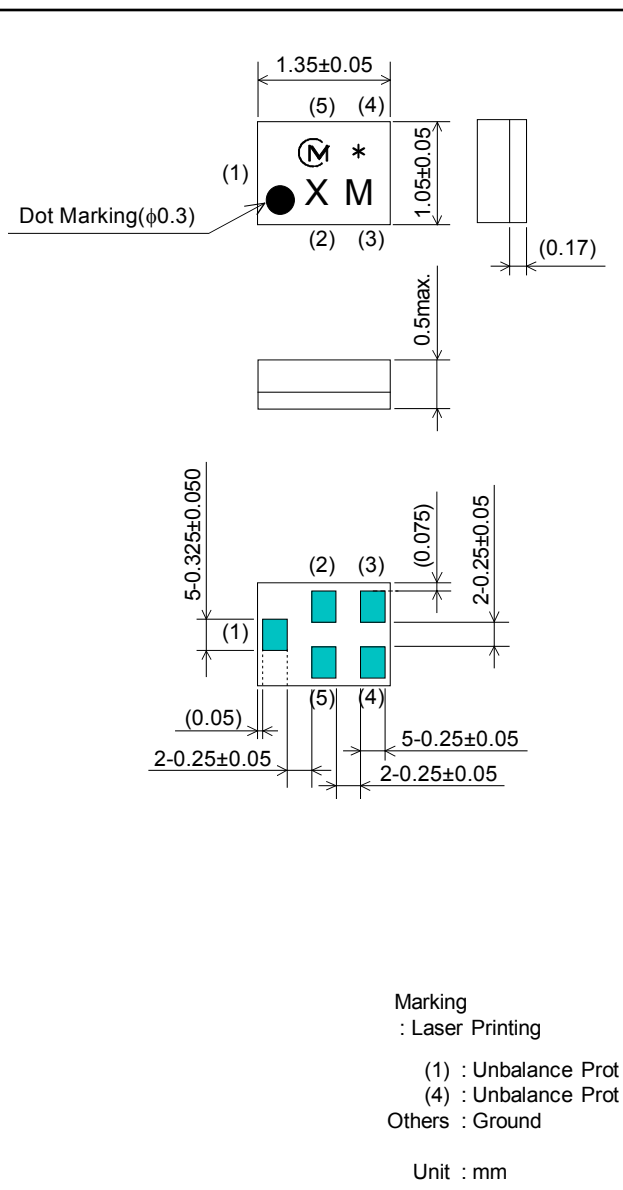


SAW FILTER FOR WLAN (2.4G)

Murata part number : SAFEA2G45AB0F00

Package Dimensions



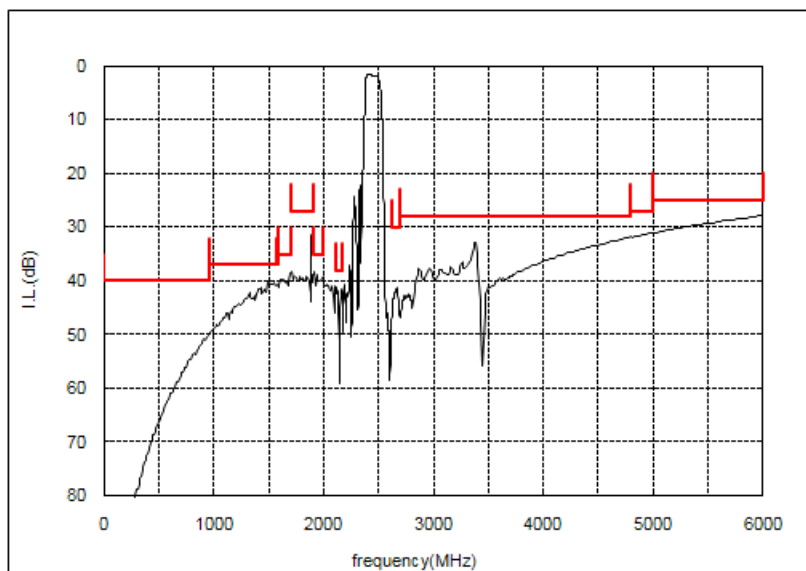
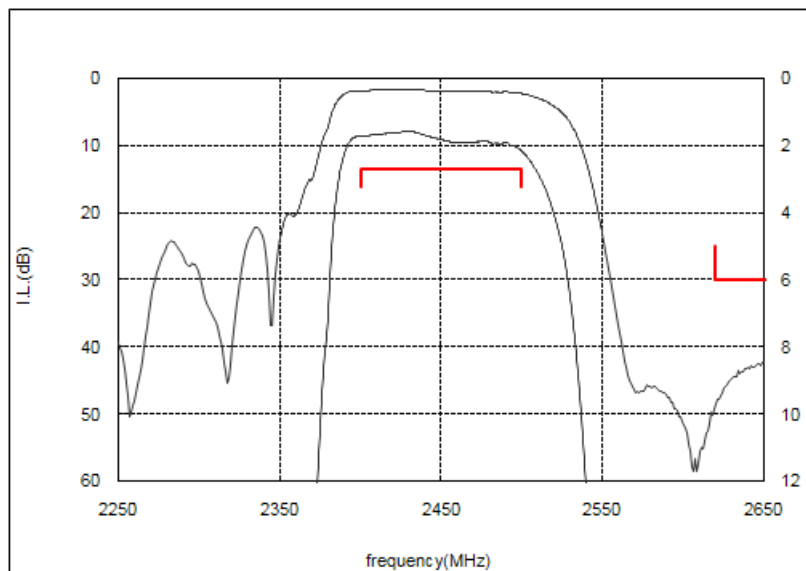
Specification

Item	Specification		
	-30 to 85°C	25±2°C	typ.
Nominal Center Frequency(fc)	2450MHz		
Insertion Loss (2400 to 2500MHz)	2.7 dB max.	2.5 dB max.	2.2 dB
Absolute Attenuation			
1) 0.1 to 960 MHz	40 dB min.	40 dB min.	50 dB
2) 960 to 1570 MHz	37 dB min.	37 dB min.	40 dB
3) 1570 to 1580 MHz	37 dB min.	37 dB min.	40 dB
4) 1580 to 1710 MHz	35 dB min.	35 dB min.	38 dB
5) 1710 to 1910 MHz	27 dB min.	27 dB min.	31 dB
6) 1910 to 1990 MHz	35 dB min.	35 dB min.	38 dB
7) 2110 to 2170 MHz	38 dB min.	38 dB min.	41 dB
8) 2620 to 2690 MHz	30 dB min.	30 dB min.	40 dB
9) 2690 to 4800 MHz	28 dB min.	28 dB min.	31 dB
10) 4800 to 5000 MHz	27 dB min.	27 dB min.	31 dB
11) 5000 to 6000 MHz	25 dB min.	25 dB min.	27 dB
Ripple Deviation (2400 to 2500MHz)	1.5dB max.	1.4dB max.	0.7 dB
VSWR (2400 to 2500MHz)	2.0 max.	2.0 max.	1.7
Unbalance Port Matching Impedance (nominal)	50Ω//5.1nH		
Input Signal Level	10mW(+10dBm), 8000 hours		

SAW FILTER FOR WLAN (2.4G)

Murata part number : SAFEA2G45AB0F00

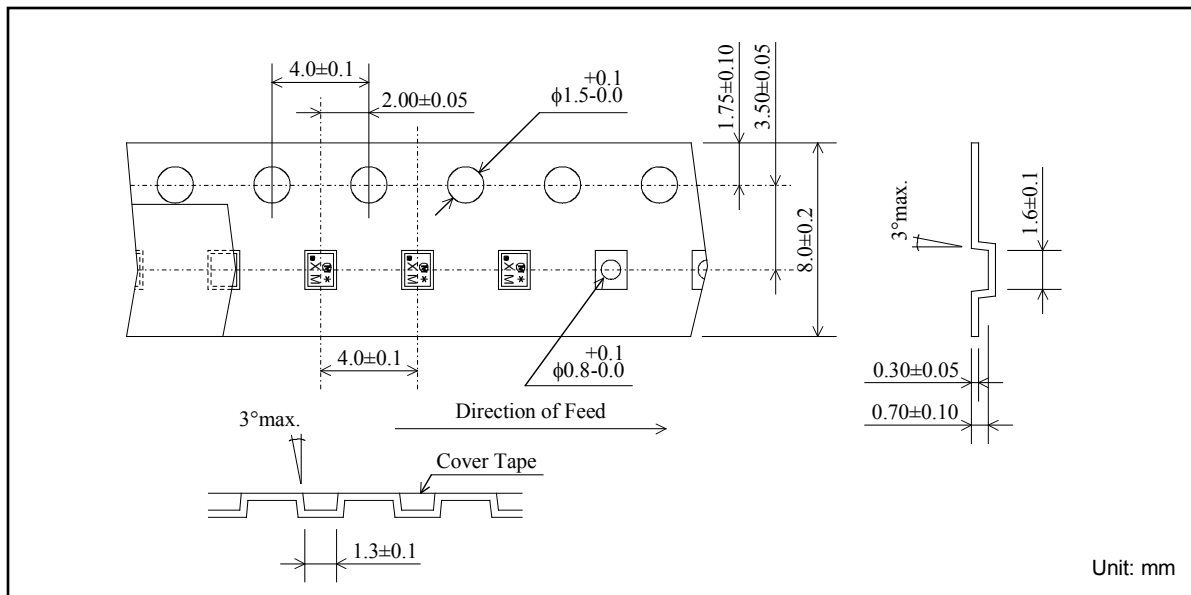
Frequency Performance



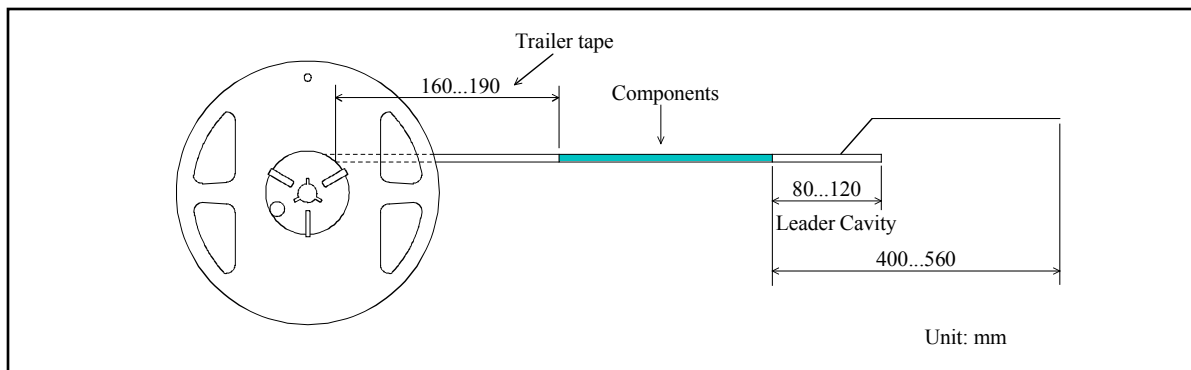
SAW FILTER FOR WLAN (2.4G)

Murata part number : SAFEA2G45AB0F00

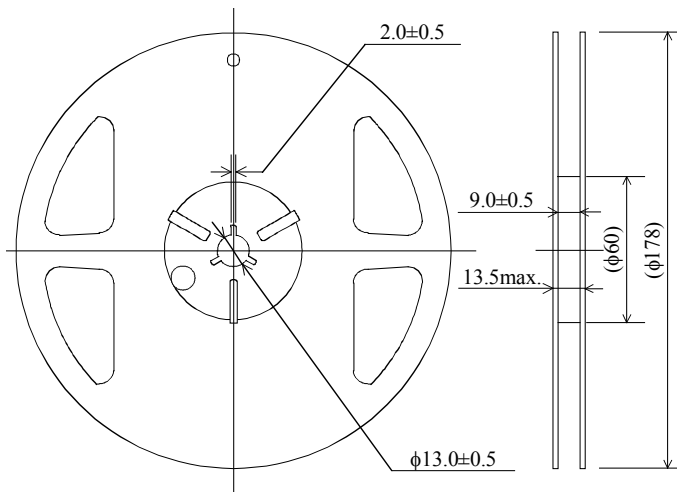
Dimensions of Carrier Tape



Dimensions of Tape



Dimensions of Reel

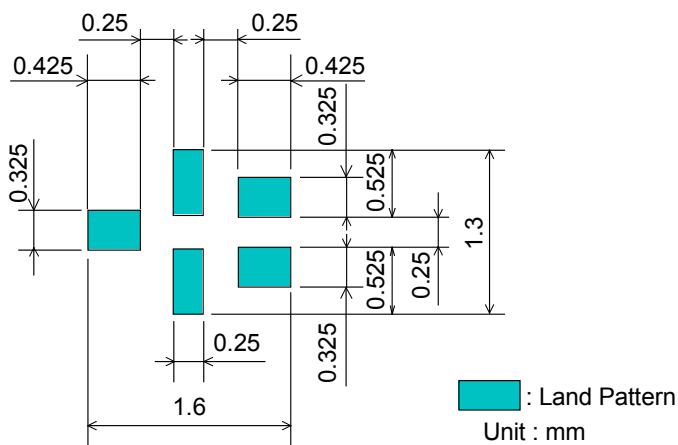


SAFEA2G45AB0F00R14 ... 4000pcs/reel
SAFEA2G45AB0F00R12 ... 2000pcs/reel

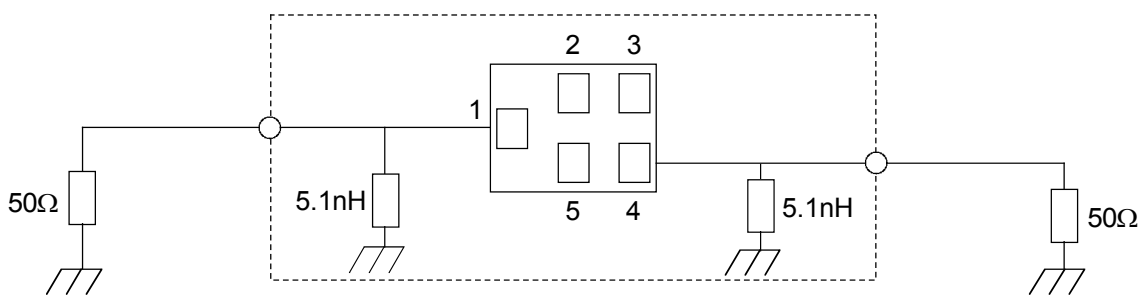
SAW FILTER FOR WLAN (2.4G)

Murata part number : SAFEA2G45AB0F00

Recommended Land Pattern



Test Circuit



- This PDF Datasheet is downloaded from the website of Murata Manufacturing Co., Ltd. Therefore, it's specifications are subject to change or our products in it may be discontinued without advance notice. Please check with our sales representatives or product engineers before ordering.
- This PDF Datasheet has only typical specifications because there is no space for detailed specifications. Therefore, please approve our product specifications or transact the approval sheet for product specifications before ordering.